

2MP Vandal-resistant Fixed Dome Network Camera

IPC322SR3-VSPF28(40)-C



Key Features

Optics

- Day/night functionality
- SmartIR, up to 30 m (98 ft) IR distance
- Car-grade LEDs, brighter and uniform light compensation
- 2D/3D DNR (Digital Noise Reduction)

Compression

- Ultra 265, H.264, MJPEG
- Embedded smart algorithm
- Triple streams
- 9:16 corridor mode

Network

- ONVIF Conformance

Structure

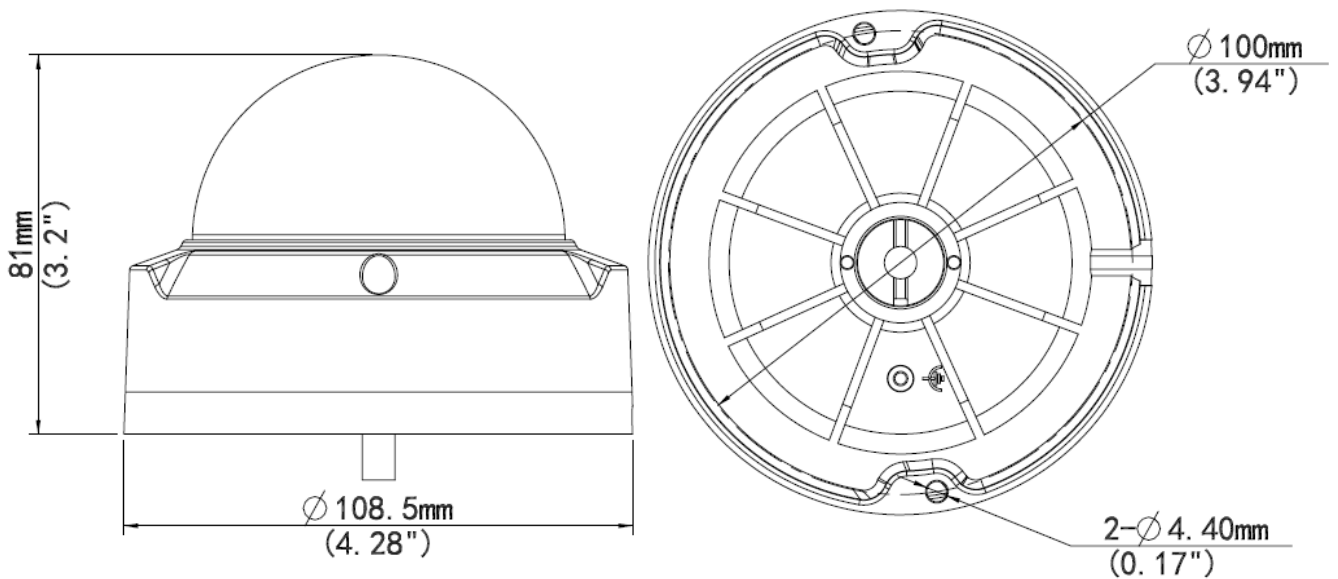
- Wide temperature range: -35°C to 60°C (-31°F to 140°F)
- Wide input voltage range of $\pm 25\%$
- IP67
- 2-Axis
- IK10

Specifications

	IPC322SR3-VSPF28-C	IPC322SR3-VSPF40-C			
Camera					
Sensor	1/2.9", progressive scan, 2.0 megapixel, CMOS				
Lens	2.8 mm@F2.0		4.0 mm@F2.0		
DORI Distance	Lens	Detect(m)	Observe(m)	Recognize(m)	Identify(m)
	2.8mm	45	18	9	4.5
	4mm	64.3	25.7	12.9	6.4
Angle of View (H)	109.9°		80.8°		
Angle of View (V)	56.7°		41.4°		
Angle of View (O)	142.9°		99.4°		
Adjustment angle	Pan: 0°~360°		Tilt: 0°~75°		
Shutter	Auto/Manual, 1~1/100000 s				
Minimum Illumination	Colour: 0.005 Lux (F2.0, AGC ON) 0 Lux with IR				
Day/Night	IR-cut filter with auto switch (ICR)				
Digital noise reduction	2D/3D DNR				
S/N	>52dB				
IR Range	Up to 30m (98 ft) IR range				
Defog	Digital Defog				
WDR	DWDR				
Video					
Video Compression	Ultra 265, H.264, MJPEG				
H.264 code profile	Baseline profile, Main Profile, High Profile				
Frame Rate	Main Stream:2MP (1920×1080): Max. 30 fps; Sub Stream:2MP (1920×1080): Max. 30 fps; Third Stream:D1 (720×576): Max. 30 fps				
HLC	Supported				
BLC	Supported				
9:16 Corridor Mode	Supported				
OSD	Up to 8 OSDs				
Privacy Mask	Up to 8 areas				
ROI	Up to 8 areas				
Motion Detection	Up to 4 areas				
Smart					
Behavior Detection	Intrusion, cross line, motion detection				
Intrusion	Enter and loiter in a pre-defined virtual region				
cross line	Cross a pre-defined virtual line				
motion detection	Moving within a pre-defined virtual region				
Recognition	Face detection、Audio detection				
Intelligent Identification	Defocus, Scene Change, Object Left, Object Moving				
Statistical Analysis	People counting				
General Function	Watermark, IP Address Filtering, Tampering Alarm, Access Policy, ARP Protection, RTSP Authentication, User Authentication				

Storage	
Edge Storage	Micro SD, up to 128 GB
Network Storage	ANR
Network	
Protocols	IPv4, IGMP, ICMP, ARP, TCP, UDP, DHCP, PPPoE, RTP, RTSP, RTCP, DNS, DDNS, NTP, FTP, UPnP, HTTP, HTTPS, SMTP, 802.1x, SNMP
Compatible Integration	ONVIF(Profile S, Profile G), API
Interface	
Network	1 RJ45 10M/100M Base-TX Ethernet
General	
Power	12 V DC±25%, PoE (IEEE802.3 af)
	Power consumption: Max 4W
Dimensions (Ø x H)	Φ108.5 x 81 mm (Ø4.28" x 3.2")
Weight	0.35 kg (0.77 lb)
Working Environment	-35°C ~ +60°C (-31°F ~ 140°F), Humidity :10%~95% RH(non-condensing)
Ingress Protection	IP67
Vandal Resistant	IK10

Dimensions



Zhejiang Uniview Technologies Co., Ltd.

South Tower, Building 10, Wanlun Science Park, 88 Jiangling Road, Hangzhou, P.R.China 310051

Email: overseasbusiness@uniview.com; globalsupport@uniview.com

<http://www.uniview.com>

©2016-2018 Zhejiang Uniview Technologies Co., Ltd. All rights reserved.

*Product specifications and availability are subject to change without notice.